

General Application



FMJ series Pure-Lead Spiral Cells have super high rate discharge, wide ambient temperature and excellent anti-vibration characteristics, with more than 350 cycles at 100% DOD(5C high rate discharge) or 15 years design life for floating application.

Specification

Open circuit voltage	12V
Capacity (10 Hr.)	75Ah
Weight	25.0Kg
Workable under	-55°C~75°C
Resistance	2.6mΩ
Specific energy (10h rate) wh/kg	35.4
Specific energy (1 ratio) wh/kg	26.5
Maxing power w/kg	530
Float Voltage (25°C)	13.6~14.1V
Cycle of charging voltage (25°C)	14.7~15.0V

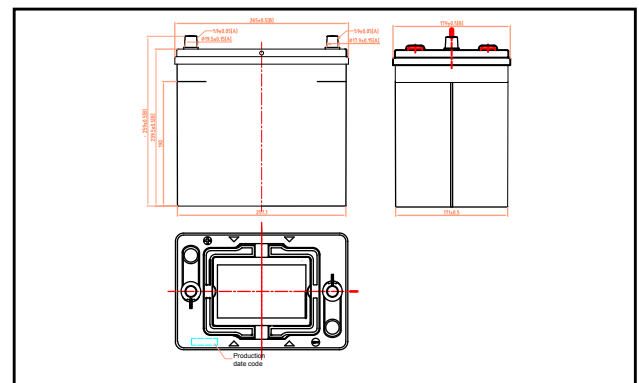
Application Fields

- Instruments
- Electric tools
- Physical exercise devices
- Medical devices
- Solar light
- Vehicle starting
- Standby power supply

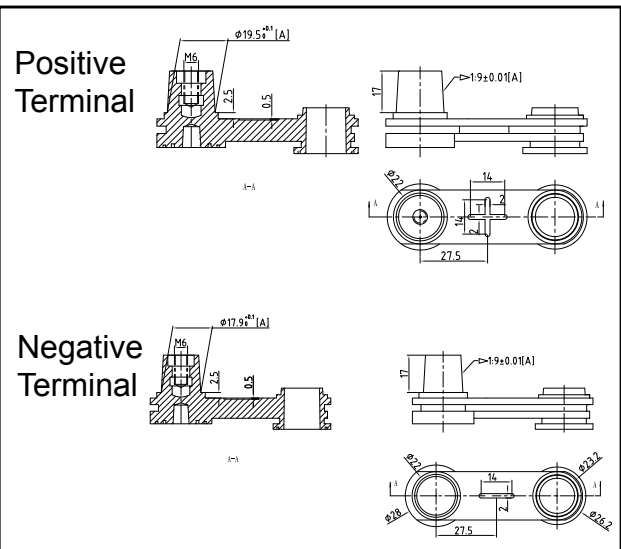
Features and Benefits

- ✦ Superior high and low temperature performance, workable under -55°C~75°C
- ✦ Good PSOC performance
- ✦ Excellent low current charge acceptance
- ✦ No free electrolyte, workable with any orientation
- ✦ Steady high voltage output, high energy density
- ✦ Fast chargeable, 95% state of charge can be reached in 40 minutes
- ✦ Starting type FMJ can be discharged with super high discharge rate, the max. discharge rate is 18C₁₀
- ✦ Very good consistency, can be connected serially and/or in parallel
- ✦ Shelf life is almost 2 years
- ✦ Long service life
 - „ The cycle life is 350 under 100%DOD at C/5 discharge rate
 - „ The design service life under floating application is 15 years
 - „ The design service life in solar application is 10 years

Dimensions

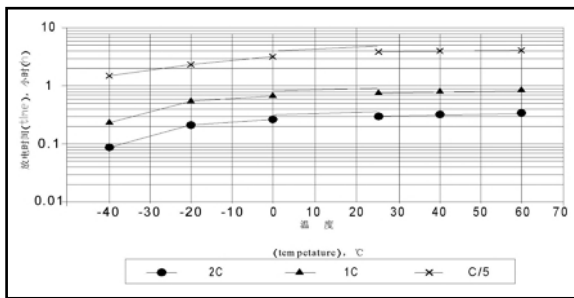


Terminal

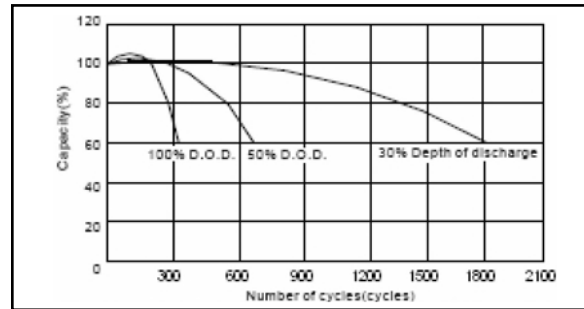


6-FMJ-75 discharge characteristics(25°C)						
	discharge to 11.1V		discharge to 10.5V		discharge to 9.9V	
Time	constant current(A)	constant power(W)	constant current(A)	constant power(W)	constant current(A)	constant power(W)
2min	456.75	5049.00	588.00	5508.00	693.00	5895.00
5min	304.50	3429.00	364.50	3780.00	424.50	4131.00
10min	229.50	2529.00	252.00	2826.00	271.50	3150.00
15min	178.50	2016.00	190.50	2124.00	207.00	2376.00
20min	142.50	1674.00	162.00	1836.00	170.25	1908.00
30min	101.25	1206.00	108.00	1278.00	117.00	1314.00
45min	78.00	864.00	81.00	927.00	83.25	918.00
1h	58.50	684.00	63.00	729.00	64.50	738.00
2h	31.50	378.00	33.00	405.00	33.75	396.00
3h	25.50	306.00	24.00	306.00	26.25	297.00
4h	21.00	234.00	19.50	225.00	18.75	252.00
5h	15.00	198.00	16.50	180.00	16.50	198.00
8h	10.50	126.00	10.50	126.00	10.50	126.00
10h	9.00	108.00	9.00	99.00	9.00	108.00
20h	4.35	54.00	4.35	45.00	4.35	45.00

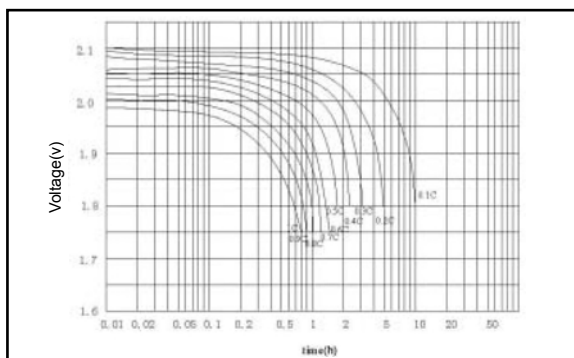
Influences of temperature on battery Capacity



Cycle service life in relation to DOD



Constant current discharge performance at 25°C



Different depth of charge-discharge characteristic curve

