

## General Application

12VHR80W is specifically designed for high efficient discharge application .It offers much improved power densities up to 30% more watts per kilogram than conventional VC models .

## Specification

• NOMINAL VOLTAGE	: 12 V
• NOMINAL CAPACITY	: 80W/cell @15 Minutes rate to 1.6V@25°C(77°F)
• DIMENSIONS	
TOTAL HEIGHT	: 167 mm ( 6.58 inches )
CONTAINER HEIGHT	: 167 mm ( 6.58 inches )
LENGTH	: 181 mm ( 7.13 inches )
WIDTH	: 76 mm ( 2.99 inches )
• WEIGHT	: APPROX 6.4Kg ( 14.11lbs )
• CONTAINER MATERIAL	: UL94HB ABS
	: UL94V-0 ABS
• INTERNAL RESISTANCE( 25°C , 77 °F )	: ~12mΩ
• DISCHARGE CAPACITY UNDER DIFFERENT TEMPERATURES	
40°C	: ~102%
25°C	: ~100%
0 °C	: ~85%

## Characteristics

• CHARGING VOLTAGE ( 25°C , 77 °F )	
STANDBY USE	: 13.65V ±0.15 V
CYCLE USE	: 14.7V ± 0.3 V
• MAX DISCHARGE CURRENT	: 500 A(5SEC)
• MAX CHARGING CURRENT	: 6 A
• SELF-DISCHARGE RESIDUAL CAPACITY( 25°C , 77 °F )	
AFTER 3 MONTHS	: ~90%
AFTER 6 MONTHS	: ~82%
AFTER 12 MONTHS	: ~70%

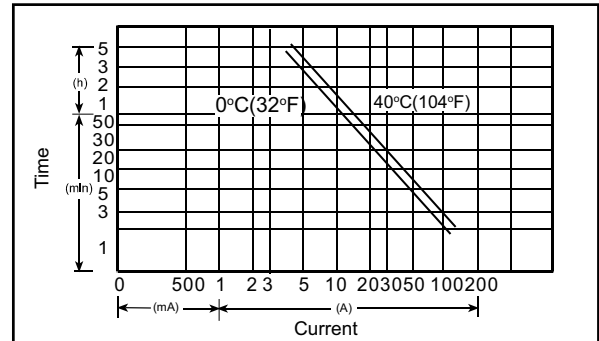
### Constant power discharge unit:watts(25°C ,77°F)

Time Cutoff	3M	5M	7M	10M	15M	30M	60M	90M
1.6V	219.7	161.7	132.1	107.7	80.0	50.0	29.7	19.6
1.7V	194.0	152.0	129.0	103.6	75.0	46.1	29.6	18.4
1.8V	169.8	134.2	116.4	95.4	67.1	43.7	28.6	17.5

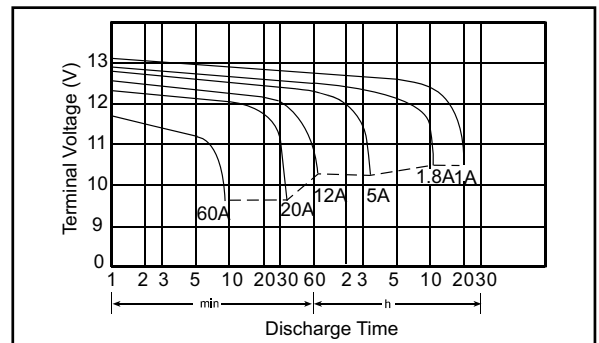
### Constant current discharge unit:A(25°C ,77°F)

Time Cutoff	3M	5M	7M	10M	15M	30M	60M	90M
1.6V	109.6	88.9	70.8	53.4	40.4	24.3	14.7	9.8
1.7V	100.9	76.5	64.5	49.7	37.5	23.4	14.6	9.3
1.8V	81.6	65.9	56.8	43.5	33.8	22.2	14.2	8.6

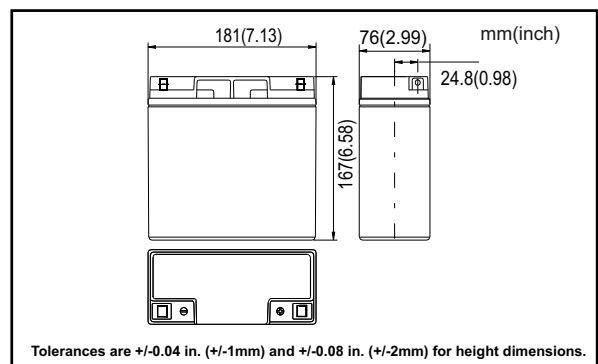
## Discharge Current vs Time



## Discharge Characteristics @25 °C ( 77 °F )



## Dimensions



## Terminal

