

General Application

12VHR36W is custom designed specifically for the UPS applications. It offers much improved power density of Up to 30% more watts per kilogram than our conventional VC Series.

Specification

NOMINAL VOLTAGE	: 12 V
NOMINAL CAPACITY: 36W/cell @15 Minutes rate to 1.6V@25°C(77°F)	
DIMENSIONS	
TOTAL HEIGHT	: 100 mm (3.94 inches)
CONTAINER HEIGHT	: 94 mm (3.70 inches)
LENGTH	: 151 mm (5.94 inches)
WIDTH	: 65 mm (2.56 inches)
WEIGHT	: APPRO 2.9 Kg (6.40lbs)
CONTAINER MATERIAL	: UL94HB ABS
	: UL94V-0 ABS
INTERNAL RESISTANCE(25°C , 77 °F)	: ~15mΩ
DISCHARGE CAPACITY UNDER DIFFERENT TEMPERATURES	
40°C	: ~102%
25°C	: ~100%
0 °C	: ~85%

Characteristics

CHARGING VOLTAGE (25°C , 77 °F)	
STANDBY USE	: 13.65V ± 0.15 V
CYCLE USE	: 14.7V ± 0.3 V
MAX DISCHARGE CURRENT	: 150 A(5SEC)
MAX CHARGING CURRENT	: 2.70 A
SELF-DISCHARGE RESIDUAL CAPACITY(25°C , 77 °F)	
AFTER 3 MONTHS	: ~90%
AFTER 6 MONTHS	: ~82%
AFTER 12 MONTHS	: ~70%

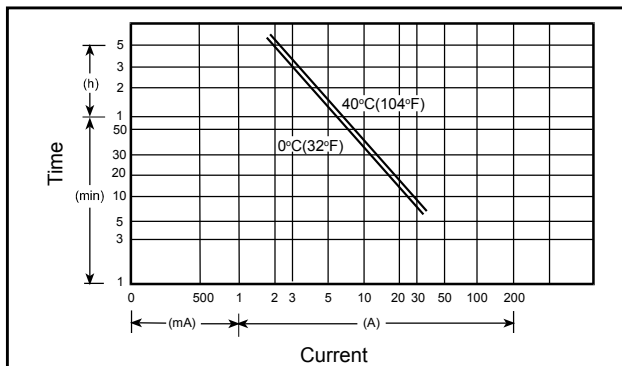
Constant power discharge `Watts` (25°C , 77°F)

Time Cutoff	3M	5M	7M	10M	15M	30M	60M	90M
1.6V	88.8	69.4	58.3	47.0	36.2	20.7	11.3	8.3
1.7V	80.4	62.5	54.5	44.7	34.0	19.3	10.4	8.1
1.8V	72.4	58.3	49.2	40.0	31.6	18.5	10.3	7.9

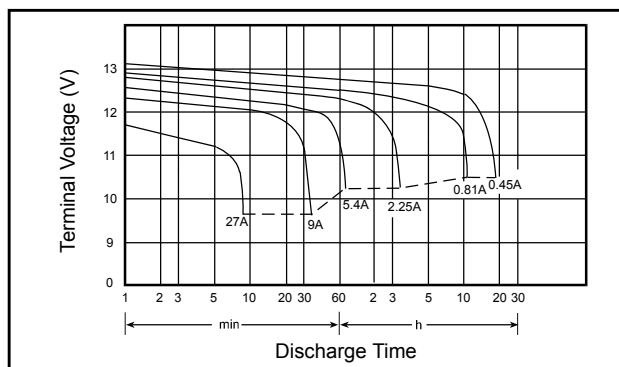
Constant current discharge `Amperes` (25°C , 77°F)

Time Cutoff	3M	5M	7M	10M	15M	30M	60M	90M
1.6V	44.3	34.4	29.1	24.0	18.0	10.2	5.6	4.2
1.7V	40.0	31.3	27.4	22.3	16.9	9.6	5.2	3.9
1.8V	36.1	29.3	25.1	20.0	15.8	9.2	5.1	3.9

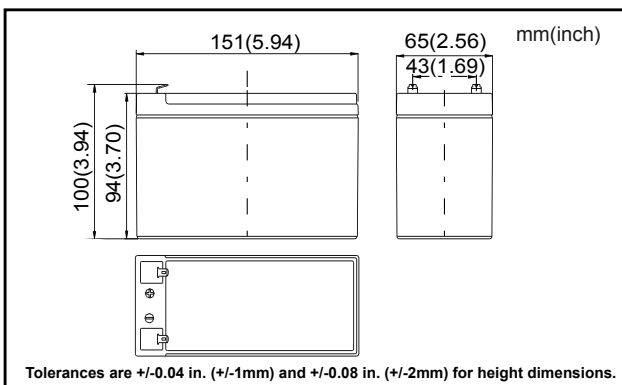
Discharge Current vs Time



Discharge Characteristics @25 °C (77 °F)



Dimensions



Terminal

