

General Application

12VHR350W is custom designed specifically for the UPS applications . It offers much improved power density of Up to 30% more watts per kilogram than our conventional VC Series.

Specification

- NOMINAL VOLTAGE : 12 V
- NOMINAL CAPACITY(20 hr): 350W/Cell @15 Minutes rate to 1.67V@25°C(77 °F)
- **DIMENSIONS**
 - TOTAL HEIGHT(RT TERMINAL) :211 mm (8.31 inches)**
 - TOTAL HEIGHT(FP TERMINAL) :229.5 mm (9.04 inches)**
 - CONTAINER HEIGHT :207.5 mm (8.17 inches)**
 - LENGTH :305 mm (12.01 inches)**
 - WIDTH :168 mm (6.61 inches)**
- WEIGHT : APPROX 29.00 Kg (63.93lbs)
- CONTAINER MATERIAL : UL94HB ABS
- INTERNAL RESISTANCE(25°C , 77°F) : ~6.5mΩ
- DISCHARGE CAPACITY UNDER DIFFERENT TEMPERATURES

40°C	: ~102%
25°C	: ~100%
0 °C	: ~85%

Characteristics

• CHARGING VOLTAGE (25°C , 77 °F)	
STANDBY USE	: 13.65V ± 0.15 V
• CYCLE USE	: 14.7V ± 0.3 V
• MAX DISCHARGE CURRENT	: 600 A (5 sec)
• MAX CHARGING CURRENT	: 24 A
SELF-DISCHARGE RESIDUAL CAPACITY(25°C , 77 °F)	
AFTER 3 MONTHS	: ~90%
AFTER 6 MONTHS	: ~82%
AFTER 12 MONTHS	: ~70%

Ordering Guide

(TO ORDER: ASSEMBLE YOUR ITEM NUMBER PER TABLE BELOW)

Series	Watts/cell	Options	Terminal Type
12VHR	350W	FR(Flame Retardant)	RT-02 or FP-04
		-(Non Flame Retardant)	RT-02 or FP-04

Features and Benefits:

10 Year Design Life

Flame Retardant Poly Propylene Case and Cover
> Impact resistant, self-extinguishing material with standard Underwriters Laboratories(UL) 94V rating

Tank Formed Plate Construction
>100% capacity on shipment
>Plate consistency and matching dependable performance

Copper Threaded Insert Post
> High conductivity
> Retains required torque values and allows for easy installation

Epoxy Post Seal
>Elimination of acid egress for trouble-free service life

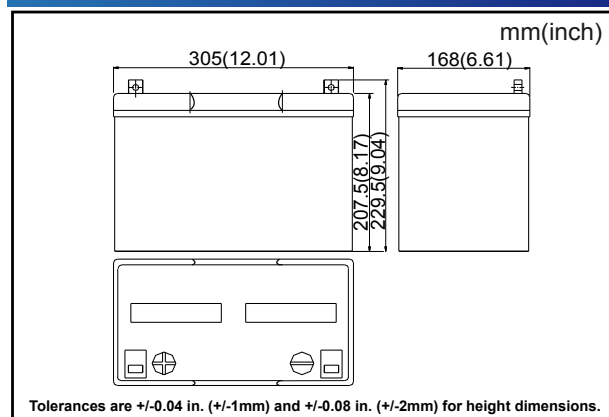
Ceramic Disc Flame Arrestor
>Prevent any errant spark or flames from entering the battery

Transportation
>Non-hazardous for air / sea / rail / road transportation

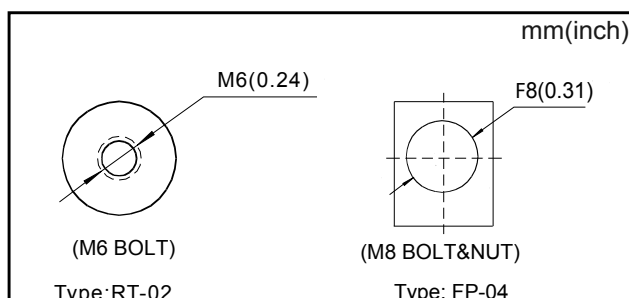
Applicable Standards
>UL Recognized
>UL 1778 4th edition - UPS equipment certification
>IEC 60896 Part 21 - VRLA methods of testing
>IEC 60896 Part 22 - VRLA requirements
>BS 6290 Part 4 - Specifications for VRLA classification

Intepower Manufacturing
>ISO 9001 Quality Management System
>ISO 14001 Environmental Management System
>OHSAS 18001 Workplace Safety & Health

Dimensions



Terminal



Constant Power Discharge Ratings - Watts Per Cell @77°F(25°C)

Operating Time to End Point Voltage (in minutes)

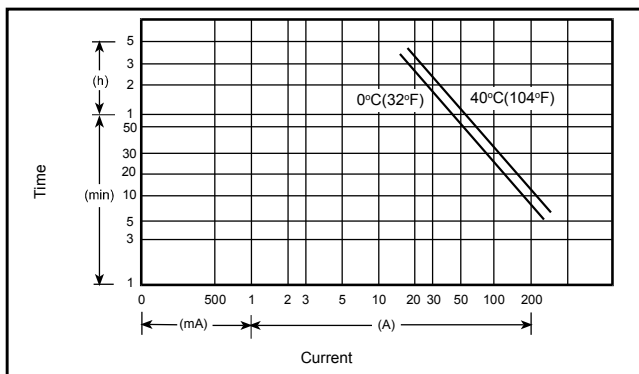
End Point Volts/Cell	5	10	15	20	30	40	45	50	60	90
1.75	540	410	327	274	205	164	149	137	118	85
1.70	596	425	337	283	211	167	152	140	120	86
1.67	620	440	350	290	217	171	155	141	122	87
1.65	640	455	360	298	219	173	157	144	123	88
1.60	672	470	370	303	222	175	159	145	125	89

Constant Current Discharge Ratings - Amperes @77°F(25°C)

Operating Time to End Point Voltage (in hours)

End Point Volts/Cell	1	2	3	5	8	10	12	20	24	72
1.85	53.0	31.0	22.1	14.8	10.08	8.34	7.08	4.40	3.71	1.29
1.80	59.0	33.5	23.7	15.6	10.63	8.74	7.42	4.55	3.83	1.32
1.75	63.0	35.1	24.8	16.1	11.00	9.00	7.58	4.65	3.90	1.34

Discharge Current vs Time



Discharge Characteristics @25 °C (77 °F)

