

General Application

12VHR200W is custom designed specifically for the UPS applications . It offers much improved power density of Up to 30% more watts per kilogram than our conventional VC Series.

Specification

- NOMINAL VOLTAGE : 12 V
- NOMINAL CAPACITY(20 hr):210W/Cell @15 Minutes rate to 1.67V@25°C(77 °F)
- **DIMENSIONS**
- TOTAL HEIGHT (RT TERMINAL) :211 mm (8.31 inches)**
- TOTAL HEIGHT (FP TERMINAL) :225 mm (8.86 inches)**
- CONTAINER HEIGHT :207 mm (8.15 inches)**
- LENGTH :229 mm (9.02 inches)**
- WIDTH :138 mm (5.43 inches)**
- WEIGHT : APPROX 19.1 Kg(42.11 lbs)
- CONTAINER MATERIAL : UL94HB ABS
- INTERNAL RESISTANCE(25°C , 77 °F) : ~ 8mΩ
- DISCHARGE CAPACITY UNDER DIFFERENT TEMPERATURES
- 40°C : ~102%
- 25°C : ~100%
- 0 °C : ~85%

Characteristics

- **CHARGING VOLTAGE (25°C , 77 °F)**
- STANDBY USE : 13.65V ± 0.15 V
- CYCLE USE : 14.7V ± 0.3 V
- **MAX DISCHARGE CURRENT : 600 A (5 sec)**
- **MAX CHARGING CURRENT : 16.5 A**
- **SELF-DISCHARGE RESIDUAL CAPACITY(25°C , 77 °F)**
- AFTER 3 MONTHS : ~90%
- AFTER 6 MONTHS : ~82%
- AFTER 12 MONTHS : ~70%

Ordering Guide

(TO ORDER: ASSEMBLE YOUR ITEM NUMBER PER TABLE BELOW)

Series	Watts/cell	Options	Terminal Type
12VHR	200W	FR(Flame Retardant)	RT-02 or FP-05
		-(Non Flame Retardant)	RT-02 or FP-05

Features and Benefits:

10 Year Design Life

Flame Retardant Poly Propylene Case and Cover
> Impact resistant, self-extinguishing material with standard Underwriters Laboratories(UL) 94V rating

Tank Formed Plate Construction

>100% capacity on shipment
>Plate consistency and matching dependable performance

Copper Threaded Insert Post

> High conductivity
> Retains required torque values and allows for easy installation

Epoxy Post Seal

>Elimination of acid egress for trouble-free service life

Ceramic Disc Flame Arrestor

>Prevent any errant spark or flames from entering the battery

Transportation

>Non-hazardous for air / sea / rail / road transportation

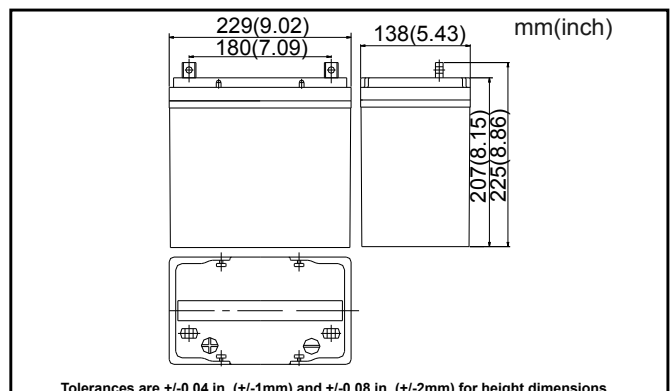
Applicable Standards

>UL Recognized
>UL 1778 4th edition - UPS equipment certification
>IEC 60896 Part 21 - VRLA methods of testing
>IEC 60896 Part 22 - VRLA requirements
>BS 6290 Part 4 - Specifications for VRLA classification

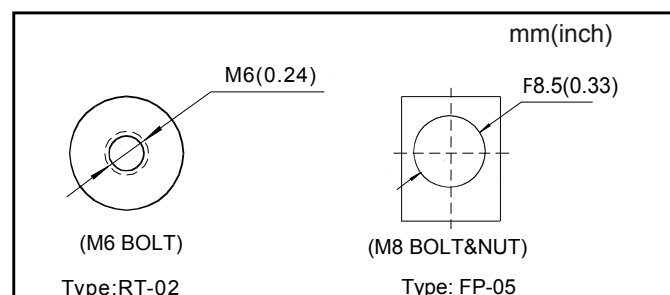
Intepower Manufacturing

>ISO 9001 Quality Management System
>ISO 14001 Environmental Management System
>OHSAS 18001 Workplace Safety & Health

Dimensions



Terminal



Constant Power Discharge Ratings - Watts Per Cell @ 77°F(25°C)

Operating Time to End Point Voltage (in minutes)

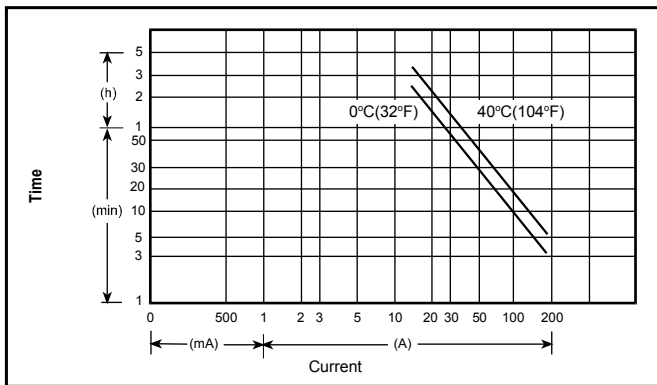
End Point Volts/Cell	5	10	15	20	30	40	45	50	60	90
1.75	340	240	195	164	121	98	90	83.0	71.8	51.0
1.70	366	252	201	168	123	99	91	84.2	72.8	52.0
1.67	376	257	206	170	125	101	92	85.0	73.3	52.4
1.65	380	259	207	171	126	101	93	85.4	73.8	52.6
1.60	392	261	209	172	127	102	93	86.0	74.2	52.8

Constant Current Discharge Ratings - Amperes @ 77°F(25°C)

Operating Time to End Point Voltage (in hours)

End Point Volts/Cell	1	2	3	5	8	10	12	20	24	72
1.85	33.0	18.7	13.3	8.60	5.78	4.74	4.02	2.50	2.10	0.73
1.80	35.0	19.5	13.9	9.20	6.10	5.02	4.25	2.63	2.21	0.76
1.75	36.5	20.6	14.5	9.40	6.23	5.09	4.30	2.67	2.24	0.77

Discharge Current vs Time



Discharge Characteristics @25 °C (77 °F)

