

## Features and Benefits:

### General Application

12VHR150W is custom designed specifically for the UPS applications . It offers much improved power density of Up to 30% more watts per kilogram than our conventional VC Series.

### Specification

- NOMINAL VOLTAGE : 12 V
- NOMINAL CAPACITY : 150W/cell @15 Minutes rate to 1.67V@25°C(77°F)
- **DIMENSIONS**
  - TOTAL HEIGHT(RT TERMINAL):170 mm (6.69 inches)**
  - TOTAL HEIGHT(FP TERMINAL):170 mm (6.69 inches)**
  - CONTAINER HEIGHT :170 mm (6.69 inches)**
  - LENGTH :197 mm (7.76 inches)**
  - WIDTH :165 mm (6.50 inches)**
- WEIGHT : APPROX 15.0Kg(33.07 lbs)
- CONTAINER MATERIAL : UL94HB ABS
- INTERNAL RESISTANCE( 25°C , 77°F ) : ~8 mΩ
- DISCHARGE CAPACITY UNDER DIFFERENT TEMPERATURES
 

40°C	: ~102%
25°C	: ~100%
0 °C	: ~85%

10 Year Design Life

Flame Retardant Poly Propylene Case and Cover  
> Impact resistant, self-extinguishing material with standard Underwriters Laboratories(UL) 94V rating

Tank Formed Plate Construction  
>100% capacity on shipment  
>Plate consistency and matching dependable performance

Copper Threaded Insert Post  
> High conductivity  
> Retains required torque values and allows for easy installation

Epoxy Post Seal  
>Elimination of acid egress for trouble-free service life

Ceramic Disc Flame Arrestor  
>Prevent any errant spark or flames from entering the battery

Transportation  
>Non-hazardous for air / sea / rail / road transportation

Applicable Standards  
>UL Recognized  
>UL 1778 4th edition - UPS equipment certification  
>IEC 60896 Part 21 - VRLA methods of testing  
>IEC 60896 Part 22 - VRLA requirements  
>BS 6290 Part 4 - Specifications for VRLA classification

Intepower Manufacturing  
>ISO 9001 Quality Management System  
>ISO 14001 Environmental Management System  
>OHSAS 18001 Workplace Safety & Health

### Characteristics

- **CHARGING VOLTAGE ( 25°C , 77 °F )**

STANDBY USE	: 13.65V ±0.15 V
CYCLE USE	: 14.7V ± 0.3V
- **MAX DISCHARGE CURRENT : 400A ( 5 sec )**
- **MAX CHARGING CURRENT : 12 A**
- **SELF-DISCHARGE RESIDUAL CAPACITY( 25°C , 77 °F )**

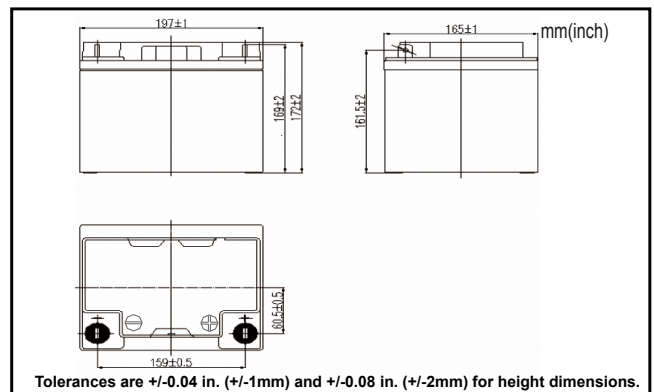
AFTER 3 MONTHS	: 90%
AFTER 6 MONTHS	: 82%
AFTER 12 MONTHS	: 70%

### Ordering Guide

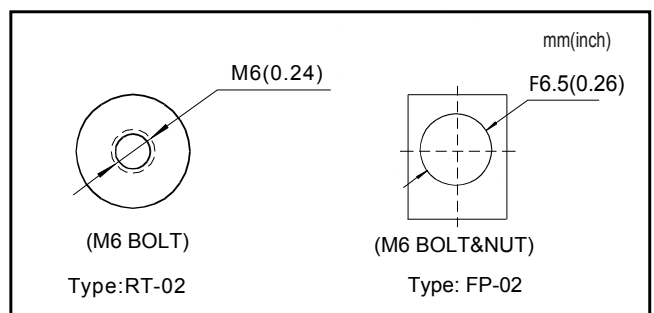
( TO ORDER: ASSEMBLE YOUR ITEM NUMBER PER TABLE BELOW)

Series	Watts/cell	Options	Terminal Type
12VHR	150W	FR(Flame Retardant)	RT-02 or FP-02
		-(Non Flame Retardant)	RT-02 or FP-02

### Dimensions



### Terminal



### Constant Power Discharge Ratings - Watts Per Cell @ 77°F(25°C)

#### Operating Time to End Point Voltage (in minutes)

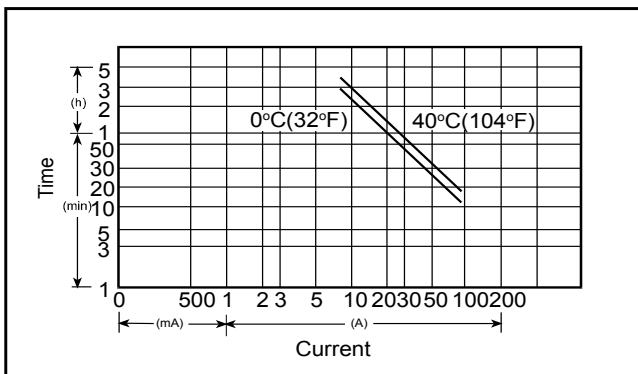
End Point Volts/Cell	5	10	15	20	30	40	45	50	60	90
1.75	270	182	141	115	86	69.0	63.0	58.0	49.7	35.0
1.70	282	188	144	118	87	70.0	63.9	58.8	50.4	35.5
1.67	288	192	148	120	89	71.1	64.9	59.5	51.0	36.0
1.65	292	196	150	122	90	71.8	65.3	60.0	51.5	36.3
1.60	296	200	152	123	91	72.5	66.0	60.5	51.8	36.5

### Constant Current Discharge Ratings - Amperes @ 77°F(25°C)

#### Operating Time to End Point Voltage (in hours)

End Point Volts/Cell	1	2	3	5	8	10	12	20	24	72
1.85	22.5	12.5	8.80	5.68	3.76	3.10	2.63	1.65	1.39	0.47
1.80	23.8	13.1	9.20	5.90	3.90	3.21	2.72	1.69	1.42	0.48
1.75	25.2	13.7	9.52	6.05	4.00	3.29	2.78	1.73	1.45	0.49

### Discharge Current vs Time



### Discharge Characteristics @25 °C (77 °F)

