



Sealed Lead Acid Rechargeable Battery

## General Application

6VC8.5 is a general purpose battery with 3~5 years in standby service or more than 400 cycles at 50% depth of discharge in cycle service.

## Unit Specification

• NOMINAL VOLTAGE	: 6 V
• NOMINAL CAPACITY(20 hrs)	: 8.5 Ah
• DIMENSIONS	
TOTAL HEIGHT	: 118 mm ( 4.65 inches )
CONTAINER HEIGHT	: 118 mm ( 4.65 inches )
LENGTH	: 98 mm ( 3.86 inches )
WIDTH	: 56 mm ( 2.21 inches )
• NET WEIGHT(UNIT)	: APPROX 1.60 Kg ( 3.53 lbs )
• INTERNAL RESISTANCE( 25°C , 77 °F )	: ~18mΩ
• CONTAINER MATERIAL	: GENERAL GRADE ABS
• DISCHARGE CAPACITY UNDER DIFFERENT TEMPERATURES	
40°C	: 102%
25°C	: 100%
0 °C	: 85%

## Characteristics

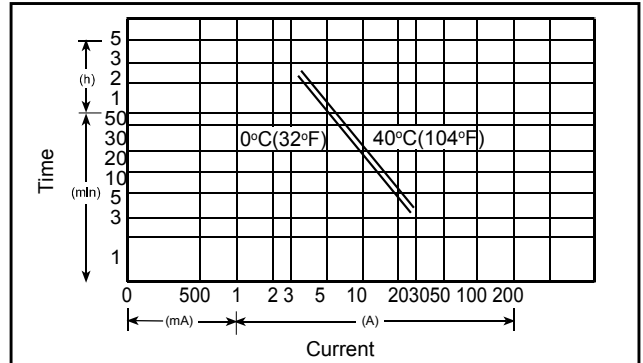
• CAPACITY 25 °C / 77 °F	
20 hr @ 0.425 A	: 8.5 Ah
5 hr @ 1.36 A	: 6.8 Ah
1 hr @ 5.1 A	: 5.1 Ah
1 C @ 8.5 A	: 4.25 Ah
• CHARGING VOLTAGE ( 25°C , 77 °F )	
STANDBY USE	: 6.825V±0.075 V
CYCLE USE	: 7.35V±0.15 V
• MAX CHARGING CURRENT	: 2.55 A
• MAX DISCHARGE CURRENT	: 90 A ( 5 sec )
• SELF-DISCHARGE RESIDUAL CAPACITY( 25°C , 77 °F )	
AFTER 3 MONTHS	: 90%
AFTER 6 MONTHS	: 82%
AFTER 12 MONTHS	: 70%

## Packaging and Weights

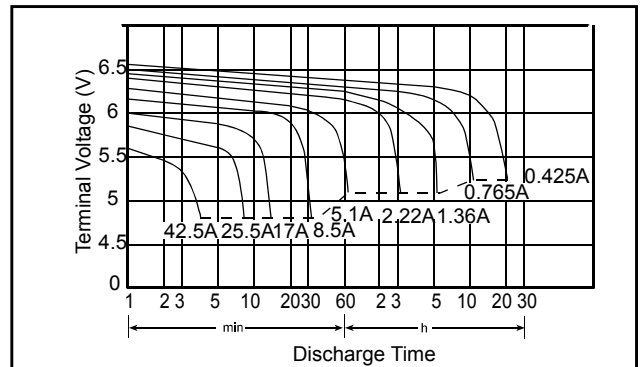
• CASE LOT SIZE	: 10Pcs
• NET WEIGHT(UNIT)	: 1.60Kg (3.53lbs)
• GROSS WEIGHT(CASE SIZE)	: 17.00Kg (37.48lbs)

# 6VC8.5 6V8.5Ah

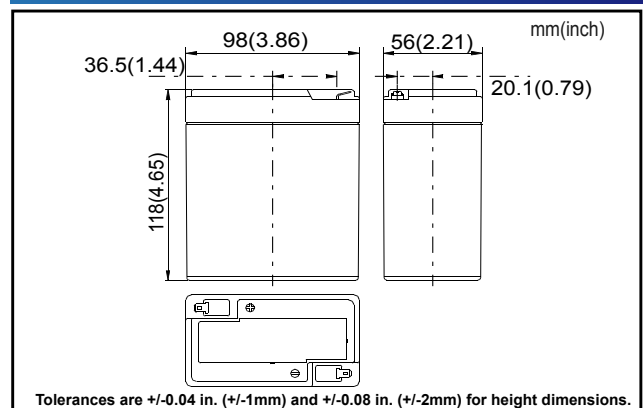
## Discharge Current vs Time



## Discharge Characteristics @25 °C ( 77 °F )



## Dimensions



## Terminal

