



Sealed Lead Acid Rechargeable Battery

General Application

6VC7.2 is a general purpose battery with 3~5 years in standby service or more than 400 cycles at 50% depth of discharge in cycle service.

Unit Specification

• NOMINAL VOLTAGE	: 6 V
• NOMINAL CAPACITY(20 hr)	: 7.2 Ah
• DIMENSIONS	
TOTAL HEIGHT	: 100 mm (3.94 inches)
CONTAINER HEIGHT	: 94 mm (3.70 inches)
LENGTH	: 151 mm (5.94 inches)
WIDTH	: 34 mm (1.34 inches)
• NET WEIGHT(UNIT)	: APPROX 1.15 Kg (2.54 lbs)
• CONTAINER MATERIAL	: UL94HB ABS
	: UL94V-0 ABS
• INTERNAL RESISTANCE(25°C , 77 °F)	: ~16mΩ
• DISCHARGE CAPACITY UNDER DIFFERENT TEMPERATURES	
40°C	: ~102%
25°C	: ~100%
0 °C	: ~85%

Characteristics

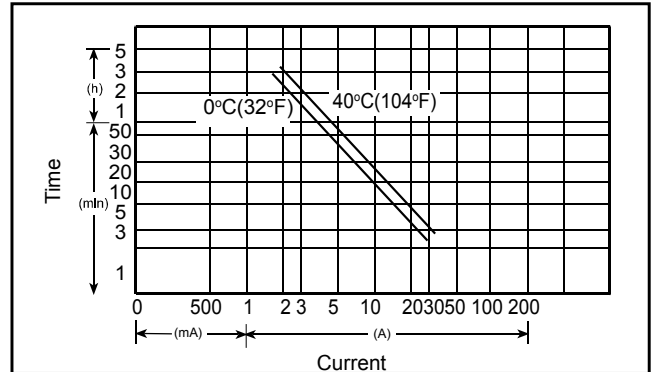
• CAPACITY 25 °C / 77 °F	
20 hr @ 0.36 A	: 7.2 Ah
5 hr @ 1.15A	: 5.76 Ah
1 hr @ 4.32 A	: 4.32 Ah
1 C @ 7.2 A	: 3.6 Ah
• CHARGING VOLTAGE (25°C , 77 °F)	
STANDBY USE	: 6.825V±0.075 V
CYCLE USE	: 7.35V±0.15 V
• MAX DISCHARGE CURRENT	: 90 A (5 sec)
• MAX CHARGING CURRENT	: 2.16 A
• SELF-DISCHARGE RESIDUAL CAPACITY(25°C , 77 °F)	
AFTER 3 MONTHS	: ~90%
AFTER 6 MONTHS	: ~82%
AFTER 12 MONTHS	: ~70%

Packaging and Weights

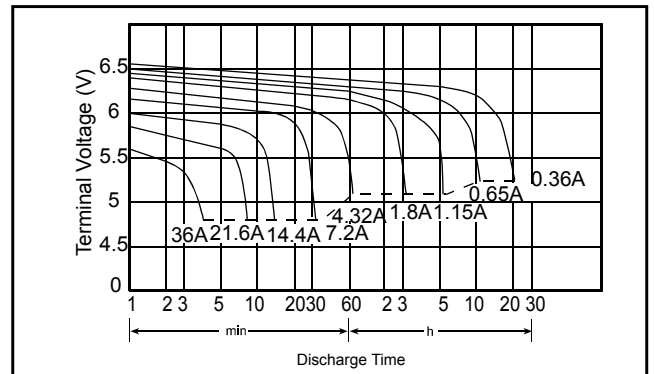
• CASE LOT SIZE	: 10Pcs
• NET WEIGHT(UNIT)	: 1.15Kg (2.54lbs)
• GROSS WEIGHT(CASE SIZE)	: 12.50Kg (27.56lbs)

6VC7.2 6V7.2Ah

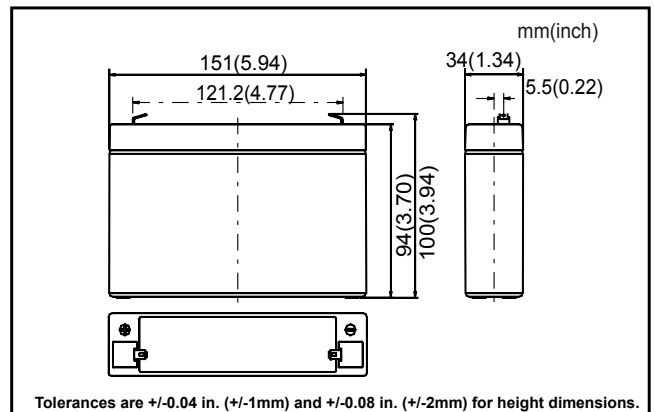
Discharge Current vs Time



Discharge Characteristics @25 °C (77 °F)



Dimensions



Terminal

