



Sealed Lead Acid Rechargeable Battery

12VHR36W 12V36W

General Application

12VHR36W is custom designed specifically for the UPS applications. It offers much improved power density of up to 30% more watts per kilogram than our conventional VC Series.

Specification

● NOMINAL VOLTAGE	: 12 V
● NOMINAL CAPACITY: 36W/cell @15 Minutes rate to 1.6V@25°C(77°F)	
● DIMENSIONS	
TOTAL HEIGHT	: 100 mm (3.94 inches)
CONTAINER HEIGHT	: 94 mm (3.70 inches)
LENGTH	: 151 mm (5.94 inches)
WIDTH	: 65 mm (2.56 inches)
● WEIGHT	: APPRO 2.45Kg(5.40lbs)
● CONTAINER MATERIAL	: UL94HB ABS
	: UL94V-0 ABS
● INTERNAL RESISTANCE(25°C , 77 °F)	: ~15mΩ
● DISCHARGE CAPACITY UNDER DIFFERENT TEMPERATURES	
40°C	: ~102%
25°C	: ~100%
0 °C	: ~85%

Characteristics

● CHARGING VOLTAGE (25°C , 77 °F)	
STANDBY USE	: 13.65V ± 0.15 V
CYCLE USE	: 14.7V ± 0.3 V
● MAX DISCHARGE CURRENT	: 150 A(5SEC)
● MAX CHARGING CURRENT	: 2.70 A
● SELF-DISCHARGE RESIDUAL CAPACITY(25°C , 77 °F)	
AFTER 3 MONTHS	: ~90%
AFTER 6 MONTHS	: ~82%
AFTER 12 MONTHS	: ~70%

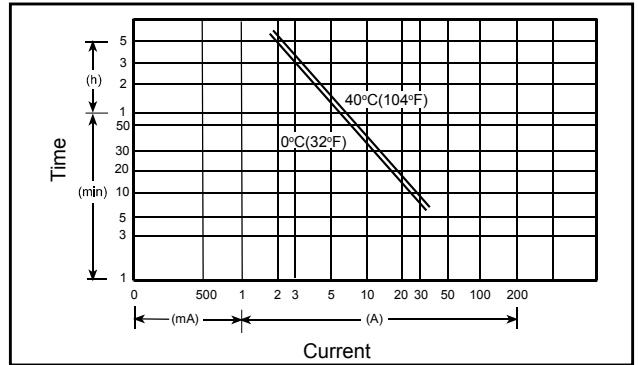
Constant power discharge `Watts` (25°C , 77°F)

VPC / Time	5min	10min	15min	30min	1HR	2HR	3HR	4HR	5HR	8HR	10HR	20HR
1.60	448	303	220	141	66.3	37.8	27.6	21.1	17.6	12.0	9.98	5.53
1.67	444	300	216	138	65.2	37.2	27.2	20.8	17.3	11.8	9.81	5.43
1.70	437	295	210	134	64.4	36.7	26.8	20.5	17.1	11.6	9.70	5.37
1.75	429	290	202	129	63.7	36.3	26.5	20.3	16.9	11.5	9.58	5.31
1.80	420	284	194	124	62.9	35.9	26.2	20.0	16.7	11.4	9.47	5.24
1.85	410	277	185	118	62.2	35.4	25.9	19.8	16.5	11.2	9.36	5.18

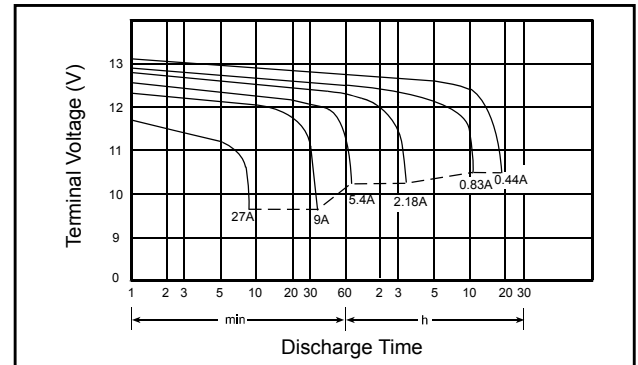
Constant current discharge `Amperes` (25°C , 77°F)

VPC / Time	5min	10min	15min	30min	1HR	2HR	3HR	4HR	5HR	8HR	10HR	20HR
1.60	32.4	26.9	18.8	12.2	5.40	3.19	2.25	1.76	1.53	1.00	0.85	0.45
1.67	32.0	26.6	18.6	12.1	5.34	3.15	2.23	1.74	1.51	1.00	0.84	0.45
1.70	31.7	26.3	18.4	11.9	5.28	3.12	2.20	1.72	1.50	0.99	0.84	0.44
1.75	31.3	26.0	18.2	11.8	5.22	3.08	2.18	1.70	1.48	0.99	0.83	0.44
1.80	31.0	25.7	18.0	11.7	5.16	3.04	2.15	1.68	1.46	0.97	0.82	0.43
1.85	30.6	25.4	17.7	11.5	5.10	3.01	2.13	1.66	1.45	0.96	0.81	0.43

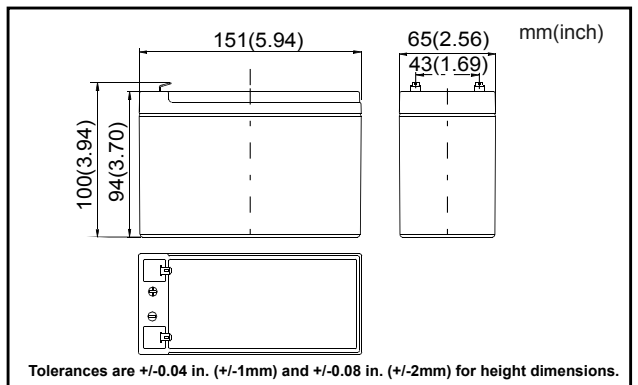
Discharge Current vs Time



Discharge Characteristics @25 °C (77 °F)



Dimensions



Terminal

