



Sealed Lead Acid Rechargeable Battery

## General Application

12VC80 is a high performance battery with 4~6 years in standby service or more than 500 cycles at 50% depth of discharge in cycle service.

## Unit Specification

• NOMINAL VOLTAGE	: 12 V
• NOMINAL CAPACITY(20 hr)	: 80.0 Ah
• DIMENSIONS	
TOTAL HEIGHT(RT TERMINAL)	: 211 mm ( 8.31 inches )
TOTAL HEIGHT(FP TERMINAL)	: 235 mm ( 9.25 inches )
CONTAINER HEIGHT	: 208 mm ( 8.19 inches )
LENGTH	: 260 mm (10.24 inches )
WIDTH	: 169 mm ( 6.65 inches )
• NET WEIGHT(UNIT)	: APPROX 23.20 Kg ( 51.15lbs)
• CONTAINER MATERIAL	: UL94HB ABS
	: UL94 V-0 ABS
• INTERNAL RESISTANCE( 25°C , 77 °F )	: ~6.5mΩ
• DISCHARGE CAPACITY UNDER DIFFERENT TEMPERATURES	
40°C	: ~102%
25°C	: ~100%
0 °C	: ~85%
-15°C	: ~70%
-30 °C	: ~55%

## Characteristics

• CAPACITY 25 °C / 77 °F	
20 hr @ 4.0 A	: 80.0 Ah
5 hr @12.8 A	: 64.0 Ah
1 hr @48.0 A	: 48.0 Ah
1 C @80.0 A	: 40.0 Ah
• CHARGING VOLTAGE ( 25°C , 77 °F )	
STANDBY USE	: 13.65V ± 0.15 V
• CYCLE USE	: 14.7V ± 0.3 V
• MAX DISCHARGE CURRENT	: 600 A ( 5 sec )
• MAX CHARGING CURRENT	: 24 A
• SELF-DISCHARGE RESIDUAL CAPACITY( 25°C , 77 °F )	
AFTER 3 MONTHS	: ~90%
AFTER 6 MONTHS	: ~82%
AFTER 12 MONTHS	: ~70%

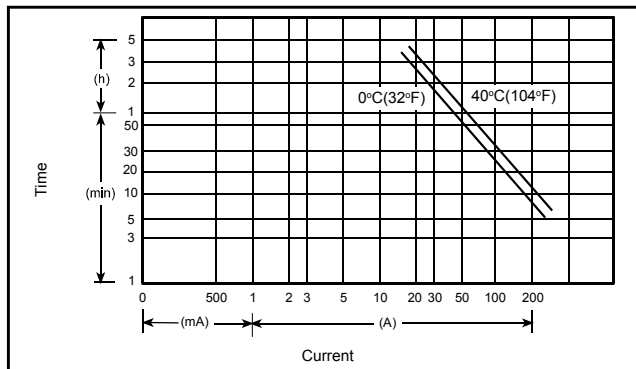
## Packaging and Weights

• CASE LOT SIZE	: 1Pcs
• NET WEIGHT(UNIT)	: 23.20Kg (51.15lbs)
• GROSS WEIGHT(CASE SIZE)	: 24.20Kg (53.35lbs)

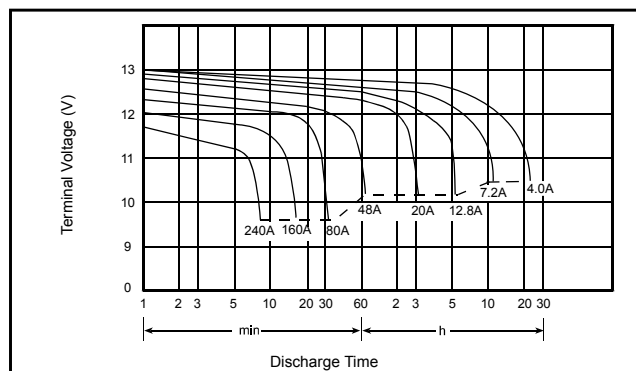
# 12VC80

# 12V80.0Ah

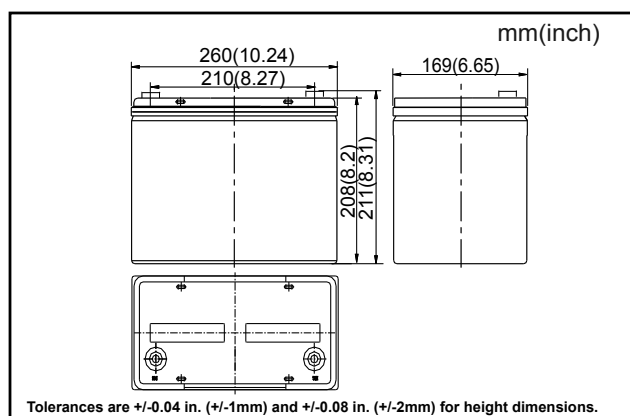
## Discharge Current vs Time



## Discharge Characteristics @25 °C (77 °F)



## Dimensions



## Terminal

