



Sealed Lead Acid Rechargeable Battery

# 12VC55

# 12V55.0Ah

## General Application

12VC55 is a high performance battery with 4~6 years in standby service or more than 500 cycles at 50% depth of discharge in cycle service.

## Unit Specification

● NOMINAL VOLTAGE	: 12 V
● NOMINAL CAPACITY(20 hr)	: 55.0 Ah
● DIMENSIONS	
TOTAL HEIGHT(RT TERMINAL)	: 211 mm ( 8.31 inches )
TOTAL HEIGHT(FP TERMINAL)	: 225 mm ( 8.86 inches )
CONTAINER HEIGHT	: 207 mm ( 8.15 inches )
LENGTH	: 229 mm ( 9.02 inches )
WIDTH	: 138 mm ( 5.43 inches )
● NET WEIGHT(UNIT)	: APPROX 17.10 Kg ( 37.70lbs)
● CONTAINER MATERIAL	: UL94HB ABS
	: UL94V-0 ABS
● INTERNAL RESISTANCE( 25°C , 77 °F )	: ~8mΩ
● DISCHARGE CAPACITY UNDER DIFFERENT TEMPERATURES	
40°C	: ~102%
25°C	: ~100%
0 °C	: ~85%
-15°C	: ~70%
-30 °C	: ~55%

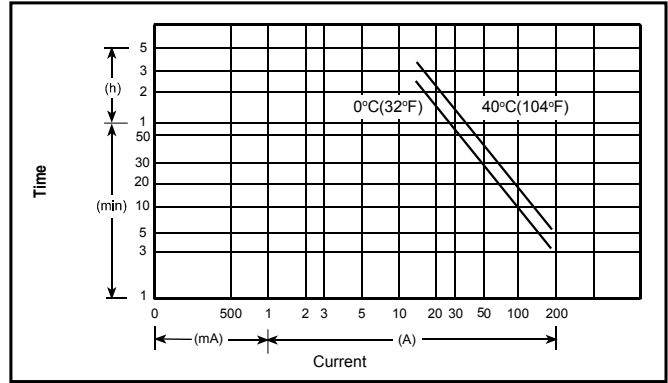
## Characteristics

● CAPACITY 25 °C / 77 °F	
20 hr @ 2.75 A	: 55.0 Ah
5 hr @ 8.8A	: 44.0 Ah
1 hr @ 33 A	: 33.0 Ah
1 C @ 55 A	: 27.5 Ah
● CHARGING VOLTAGE ( 25°C , 77 °F )	
STANDBY USE	: 13.65V ± 0.15 V
CYCLE USE	: 14.7V ± 0.3 V
● MAX DISCHARGE CURRENT	: 600 A ( 5 sec )
● MAX CHARGING CURRENT	: 16.5 A
SELF-DISCHARGE RESIDUAL CAPACITY( 25°C , 77 °F )	
AFTER 3 MONTHS	: ~90%
AFTER 6 MONTHS	: ~82%
AFTER 12 MONTHS	: ~70%

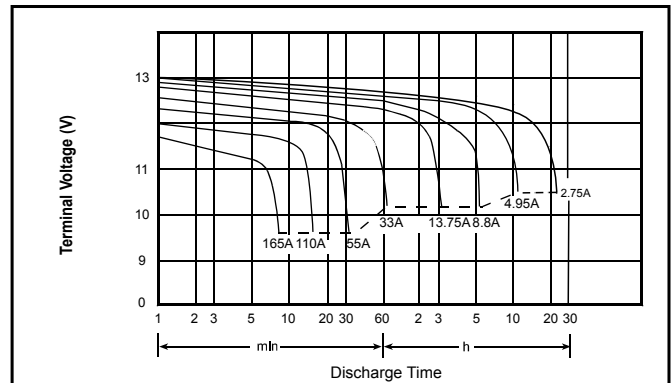
## Packaging and Weights

● CASE LOT SIZE	: 1Pcs
● NET WEIGHT(UNIT)	: 17.70Kg (37.70lbs)
● GROSS WEIGHT(CASE SIZE)	: 18.10Kg (39.90lbs)

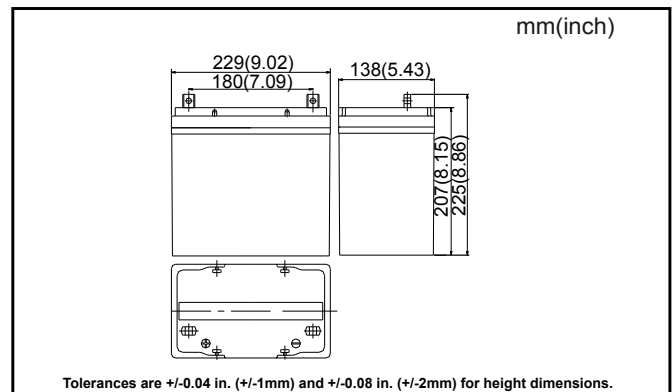
## Discharge Current vs Time



## Discharge Characteristics @25 °C ( 77 °F )



## Dimensions



## Terminal

