



Sealed Lead Acid Rechargeable Battery

12VC3.4 12V3.4Ah

General Application

12VC3.4 is a general purpose battery with 3~5 years in standby service or more than 400 cycles at 50% depth of discharge in cycle service.

Unit Specification

NOMINAL VOLTAGE	: 12 V
NOMINAL CAPACITY(20 hrs)	: 3.4 Ah
DIMENSIONS	
TOTAL HEIGHT	: 67 mm (2.64 inches)
CONTAINER HEIGHT	: 60 mm (2.36 inches)
LENGTH	: 134 mm (5.28 inches)
WIDTH	: 67 mm (2.64 inches)
NET WEIGHT(UNIT)	: APPROX 1.29 Kg (2.84 lbs)
CONTAINER MATERIAL	: UL94HB ABS
	: UL94V-0 ABS
INTERNAL RESISTANCE(25°C , 77 °F)	: ~45mΩ
DISCHARGE CAPACITY UNDER DIFFERENT TEMPERATURES	
40°C	: ~102%
25°C	: ~100%
0 °C	: ~85%

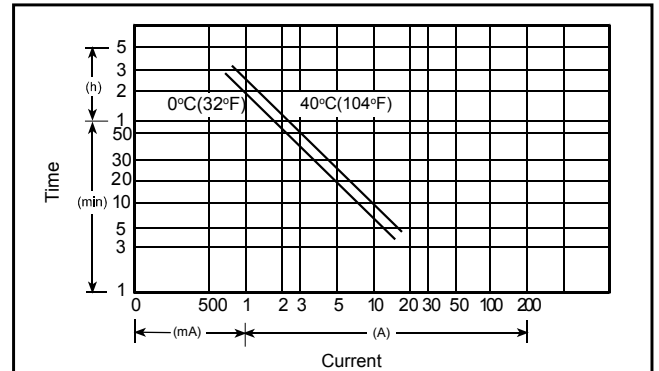
Characteristics

CAPACITY 25 °C / 77 °F	
20 hr @ 0.17 A	: 3.4 Ah
5 hr @ 0.544 A	: 2.72 Ah
1 hr @ 2.04 A	: 2.04 Ah
1 C @ 3.4 A	: 1.7 Ah
CHARGING VOLTAGE (25°C , 77 °F)	
STANDBY USE	: 13.65V ±0.15 V
CYCLE USE	: 14.7V ±0.3 V
MAX DISCHARGE CURRENT	: 40A (5 sec)
MAX CHARGING CURRENT	: 1.02A
SELF-DISCHARGE RESIDUAL CAPACITY(25°C , 77 °F)	
AFTER 3 MONTHS	: ~90%
AFTER 6 MONTHS	: ~82%
AFTER 12 MONTHS	: ~70%

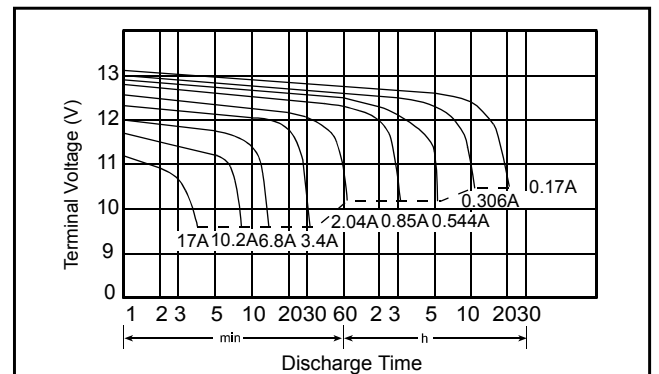
Packaging and Weights

CASE LOT SIZE	: 10Pcs
NET WEIGHT(UNIT)	: 1.29Kg (2.84lbs)
GROSS WEIGHT(CASE SIZE)	: 13.90Kg (30.64lbs)

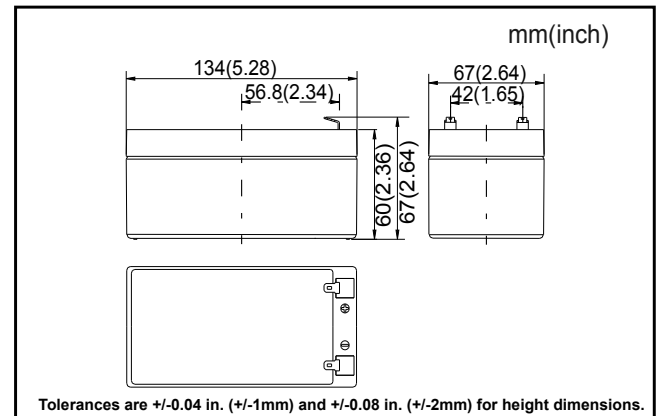
Discharge Current vs Time



Discharge Characteristics @25 °C (77 °F)



Dimensions



Terminal

