



Sealed Lead Acid Rechargeable Battery

12VC28

12V28.0Ah

General Application

12VC28 is a general purpose battery with 3-5 years in standby service or more than 400 cycles at 50% depth of discharge in cycle service.

Unit Specification

• NOMINAL VOLTAGE	: 12 V
• NOMINAL CAPACITY	: 28.0Ah
• DIMENSIONS	
TOTAL HEIGHT(RT TERMINAL)	: 125 mm (4.92 inches)
TOTAL HEIGHT(FP TERMINAL)	: 125 mm (4.92 inches)
CONTAINER HEIGHT LENGTH	: 125 mm (4.92 inches)
LENGTH	: 166 mm (6.54 inches)
WIDTH	: 175 mm (6.89 inches)
• NET WEIGHT(UNIT)	: APPROX 8.10 Kg (17.86 lbs)
• CONTAINER MATERIAL	: UL94HB ABS
	: UL94V-0 ABS
• INTERNAL RESISTANCE(25°C , 77 °F)	: ~10mΩ
• DISCHARGE CAPACITY UNDER DIFFERENT TEMPERATURES	
40°C	: ~102%
25°C	: ~100%
0 °C	: ~85%

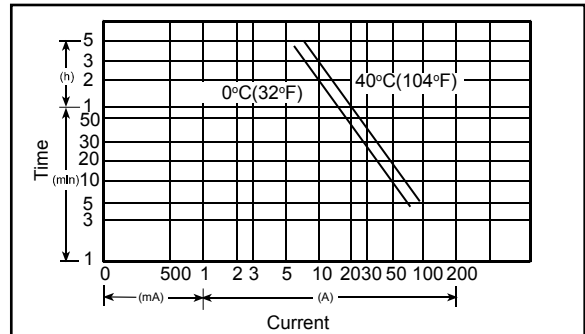
Characteristics

• CAPACITY 25 °C / 77 °F	
20 hr @ 1.4 A	: 28.0 Ah
5 hr @ 4.48 A	: 22.4 Ah
1 hr @ 16.8 A	: 16.8 Ah
1 C @ 28 A	: 14.0 Ah
• CHARGING VOLTAGE (25°C , 77 °F)	
STANDBY USE	: 13.65V ± 0.15 V
CYCLE USE	: 14.7V ± 0.3 V
• MAX DISCHARGE CURRENT	: 390A (5 sec)
• MAX CHARGING CURRENT	: 8.4 A
• SELF-DISCHARGE RESIDUAL CAPACITY(25°C , 77 °F)	
AFTER 3 MONTHS	: ~90%
AFTER 6 MONTHS	: ~82%
AFTER 12 MONTHS	: ~70%

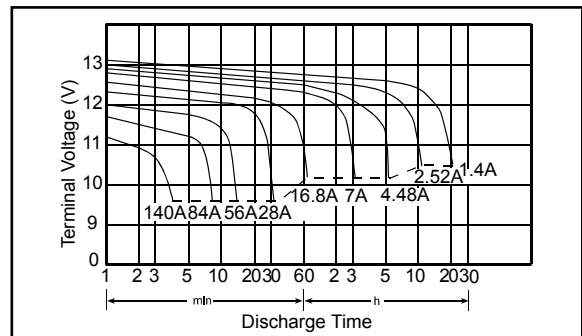
Packaging and Weights

- CASE LOT SIZE : 2Pcs
- NET WEIGHT(UNIT) : 8.10Kg (17.86lbs)
- GROSS WEIGHT(CASE SIZE) : 17.20Kg (37.92lbs)

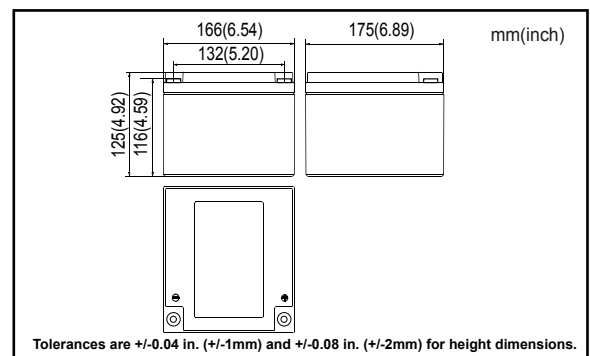
Discharge Current vs Time



Discharge Characteristics @25 °C (77 °F)



Dimensions



Terminal

