



Sealed Lead Acid Rechargeable Battery

General Application

12VC2.2 is a general purpose battery with 3~5 years in standby service or more than 400 cycles at 50% depth of discharge in cycle service.

Unit Specification

● NOMINAL VOLTAGE	: 12 V
● NOMINAL CAPACITY(20 hr)	: 2.2 Ah
● DIMENSIONS	
TOTAL HEIGHT	: 67 mm (2.64 inches)
CONTAINER HEIGHT	: 60 mm (2.36 inches)
LENGTH	: 178 mm (7.01 inches)
WIDTH	: 35 mm (1.38 inches)
● NET WEIGHT(UNIT)	: APPROX 0.96 Kg (2.12lbs)
● CONTAINER MATERIAL	: UL94HB ABS
	: UL94V-0 ABS
● INTERNAL RESISTANCE(25°C , 77 °F)	: ~45mΩ
● DISCHARGE CAPACITY UNDER DIFFERENT TEMPERA TURES	
40°C	: ~102%
25°C	: ~100%
0°C	: ~85%

Characteristics

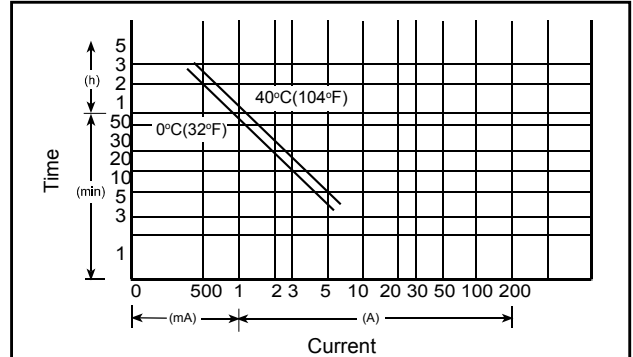
● CAPACITY 25 °C / 77 °F	
20 hr @ 0.11 A	: 2.2 Ah
5 hr @ 0.35 A	: 1.76 Ah
1 hr @ 1.32 A	: 1.32 Ah
1 C @ 2.2 A	: 1.1 Ah
● CHARGING VOLTAGE (25°C , 77 °F)	
STANDBY USE	: 13.65V ±0.15V
CYCLE USE	: 14.7V ±0.3 V
● MAX DISCHARGE CURRENT	: 30 A (5 sec)
● MAX CHARGING CURRENT	: 0.66 A
● SELF-DISCHARGE RESIDUAL CAPACITY(25°C , 77 °F)	
AFTER 3 MONTHS	: ~90%
AFTER 6 MONTHS	: ~82%
AFTER 12 MONTHS	: ~70%

Packaging and Weights

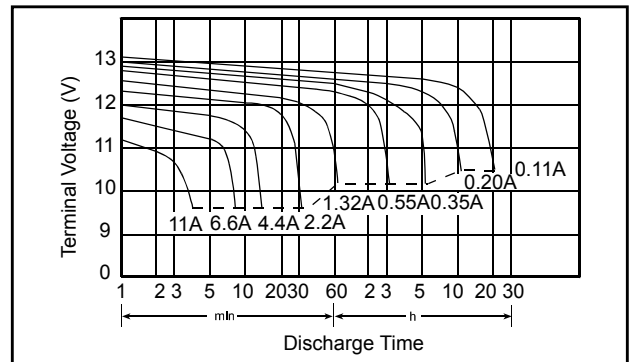
● CASE LOT SIZE	: 20Pcs
● NET WEIGHT(UNIT)	: 0.96Kg (2.12lbs)
● GROSS WEIGHT(CASE SIZE)	: 20.20Kg (44.53lbs)

12VC2.2 12V2.2Ah

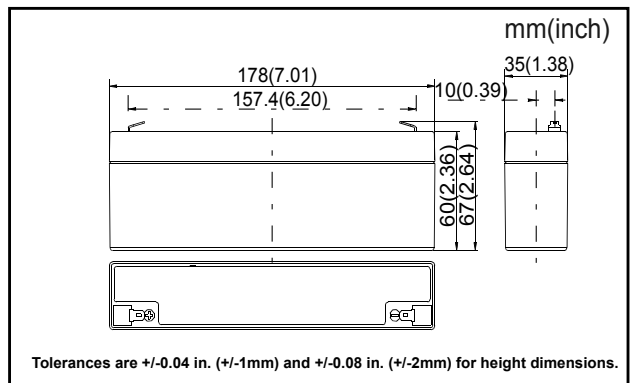
Discharge Current vs Time



Discharge Characteristics @25 °C (77 °F)



Dimensions



Terminal

