



Sealed Lead Acid Rechargeable Battery

General Application

12VC100C is a high performance battery with 4~6 years in standby service or more than 500 cycles at 50% depth of discharge in cycle service.

Unit Specification

• NOMINAL VOLTAGE	: 12 V
• NOMINAL CAPACITY(20 hr)	: 100.0 Ah
• DIMENSIONS	
TOTAL HEIGHT(RT TERMINAL)	: 211 mm (8.31 inches)
TOTAL HEIGHT(FP TERMINAL)	: 229.5 mm (9.04 inches)
CONTAINER HEIGHT	: 207.5 mm (8.17 inches)
LENGTH	: 305 mm (12.01 inches)
WIDTH	: 168 mm (6.61 inches)
• NET WEIGHT(UNIT)	: APPROX 28.00 Kg (61.73 lbs)
• CONTAINER MATERIAL	: UL94HB ABS : UL94V-0 ABS
• INTERNAL RESISTANCE(25°C , 77 °F)	: ~6.5 mΩ
• DISCHARGE CAPACITY UNDER DIFFERENT TEMPERATURES	
40°C	: ~102%
25°C	: ~100%
0 °C	: ~85%
-15°C	: ~70%
-30°C	: ~55%

Characteristics

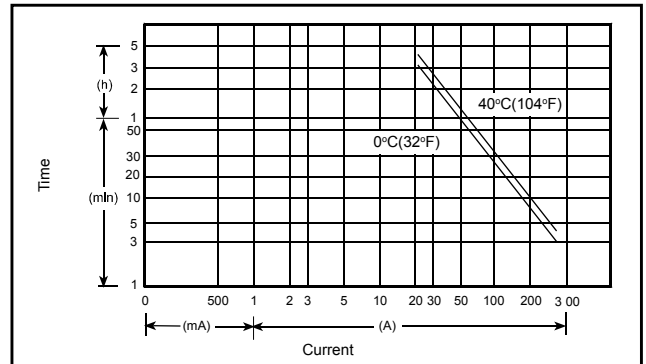
• CAPACITY 25 °C / 77 °F	
100 hr @ 1 A	: 105.0 Ah
20 hr @ 5 A	: 100.0 Ah
5 hr @ 16 A	: 80.0 Ah
1 hr @ 60 A	: 60.0 Ah
1 C @ 100 A	: 50.0 Ah
• CHARGING VOLTAGE (25°C , 77 °F)	
STANDBY USE	: 13.65V±0.15 V
CYCLE USE	: 14.7V±0.3 V
• MAX DISCHARGE CURRENT	: 600 A (5 sec)
• MAX CHARGING CURRENT	: 30 A
• SELF-DISCHARGE RESIDUAL CAPACITY(25°C , 77 °F)	
AFTER 3 MONTHS	: ~90%
AFTER 6 MONTHS	: ~82%
AFTER 12 MONTHS	: ~70%

Packaging and Weights

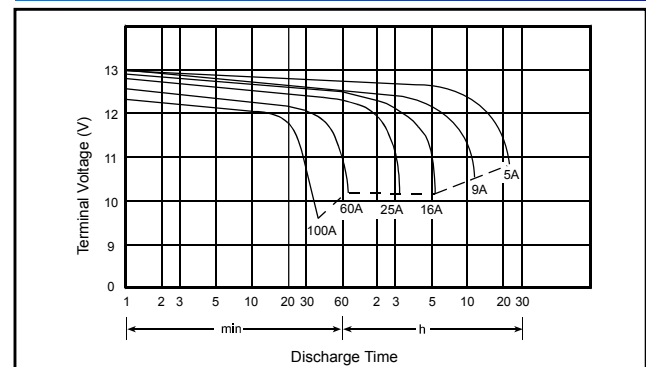
- CASE LOT SIZE : 1Pcs
- NET WEIGHT(UNIT) : 28.00Kg (61.73lbs)
- GROSS WEIGHT(CASE SIZE) : 29.00Kg (63.93lbs)

12VC100C 12V100.0Ah

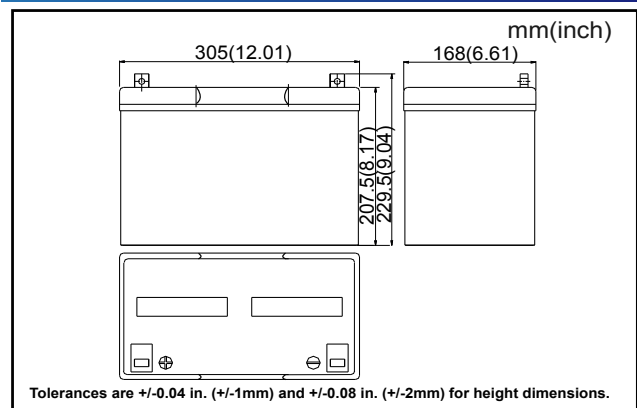
Discharge Current vs Time



Discharge Characteristics @25 °C (77 °F)



Dimensions



Terminal

