



Sealed Lead Acid Rechargeable Battery

12VC0.8 12V0.8Ah

General Application

12VC0.8 is a general purpose battery with 3~5 years in standby service or more than 400 cycles at 50% depth of discharge in cycle service.

Unit Specification

• NOMINAL VOLTAGE	: 12 V
• NOMINAL CAPACITY(20 hr)	: 0.8Ah
• DIMENSIONS	
TOTAL HEIGHT	: 62 mm (2.44 inches)
CONTAINER HEIGHT	: 62 mm (2.44 inches)
LENGTH	: 96 mm (3.78 inches)
WIDTH	: 25 mm (0.98 inches)
• NET WEIGHT(UNIT)	: APPROX 0.35 Kg (0.77 lbs)
• CONTAINER MATERIAL	: UL94HB ABS
	: UL94V-0 ABS
• INTERNAL RESISTANCE(25°C , 77 °F)	: ~160 mΩ
• DISCHARGE CAPACITY UNDER DIFFERENT TEMPERATURES	
40°C	: ~102%
25°C	: ~100%
0 °C	: ~85%

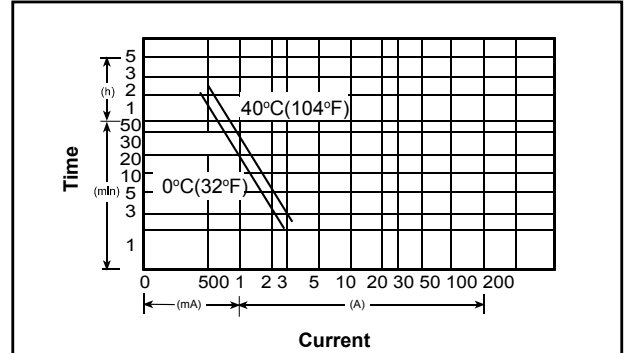
Characteristics

• CAPACITY 25 °C / 77 °F	
20 hr @ 0.04 A	: 0.8 Ah
5 hr @ 0.128 A	: 0.64 Ah
1 hr @ 0.48 A	: 0.48 Ah
1 C @ 0.8 A	: 0.4 Ah
• CHARGING VOLTAGE (25°C , 77 °F)	
STANDBY USE	: 13.65V ± 0.15V
CYCLE USE	: 14.7V ± 0.3 V
• MAX DISCHARGE CURRENT WITH STANDARD TERMINALS : 4A(5 sec)	
• MAX CHARGING CURRENT	: 0.24 A
• SELF-DISCHARGE RESIDUAL CAPACITY(25°C , 77 °F)	
AFTER 3 MONTHS	: ~90%
AFTER 6 MONTHS	: ~82%
AFTER 12 MONTHS	: ~70%

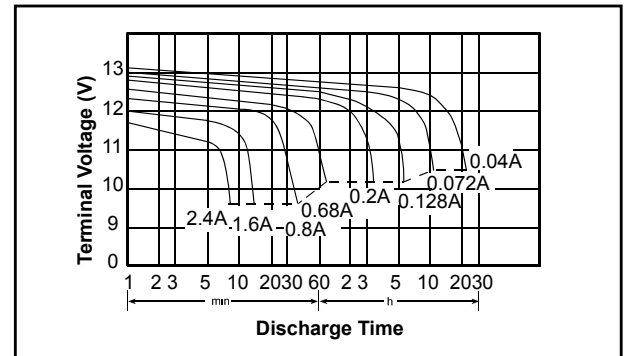
Packaging and Weights

• CASE LOT SIZE	: 40Pcs
• NET WEIGHT(UNIT)	: 0.35Kg (0.77lbs)
• GROSS WEIGHT(CASE SIZE)	: 15.2Kg (33.51lbs)

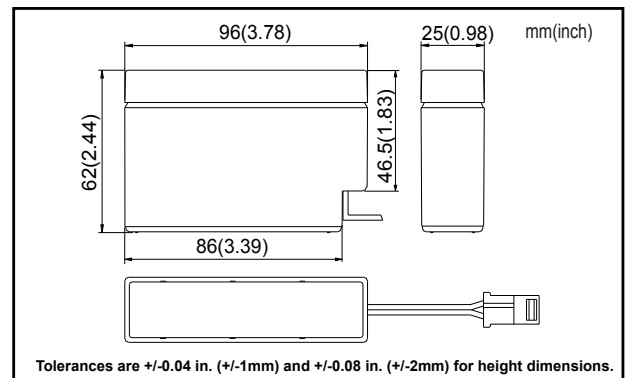
Discharge Current vs Time



Discharge Characteristics @25 °C (77 °F)



Dimensions



Terminal

